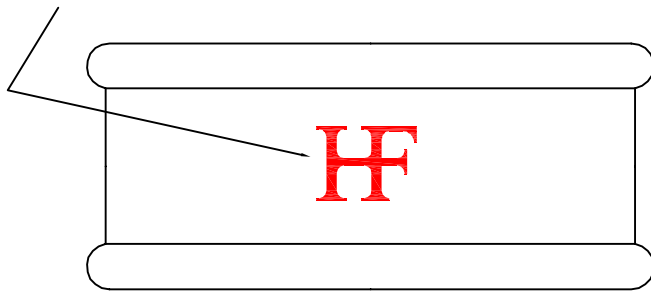


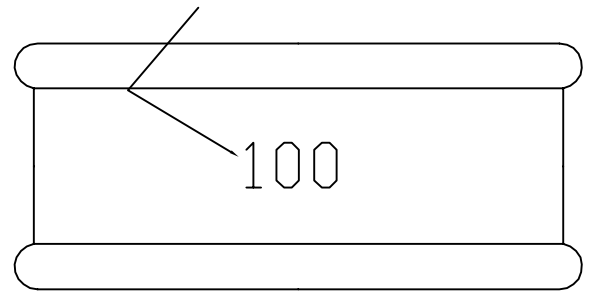
# UNCONTROLLED COPY

HF LOGO 20mm HIGH  
RAISED 2mm

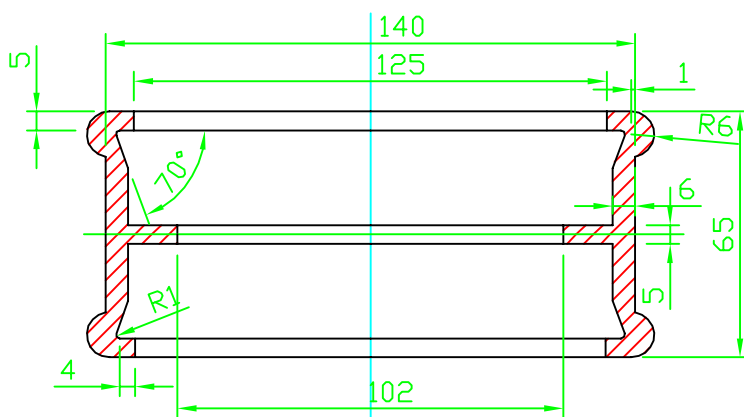
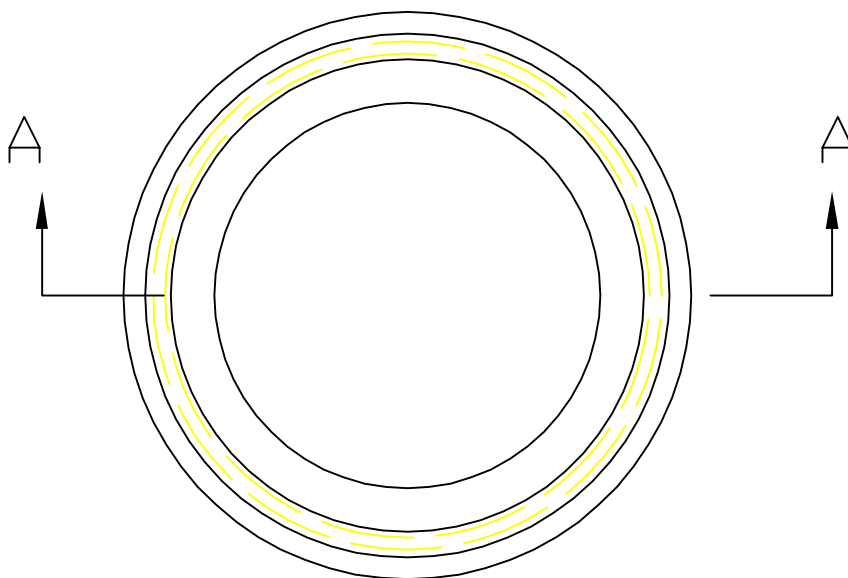


FRONT VIEW

TEXT 12mm HIGH,  
RAISED 1.5mm



REAR VIEW



SECTION A - A

**Copyright and Design right**

This confidential drawing is the sole property of Hargreaves Foundry Drainage Ltd and must not be reproduced or distributed to any third party without written permission. It must only be used for the purpose for which it has been issued and may be withdrawn upon request. The validity of the drawing is only guaranteed at the time of issue and is subject to change without notice.

ALL DIMS IN mm

WATER LANE  
SOUTH PARADE  
HALIFAX  
WEST YORKSHIRE  
HX3 9HG



TEL: (44) 01422 330607  
FAX: (44) 01422 320349  
E-MAIL [Info@hargreavesfoundry.co.uk](mailto:Info@hargreavesfoundry.co.uk)

TITLE 100mm Plain TX Push Fit Socket		
MATERIAL SG Iron 500/7		
SCALE 1:2 A4	DRAWN L.Gill	CHECKED D.Hall
DATE 08/06/15	REF No TX4016	REV. 2
DWG No TX4016		